

□ ICDI 2323 6vl □ ICDI 2323 8vl

ICDI 2323 8vl



### Standard Performance Ice Cooled Drop In Dispensers

(ICDI) are designed using the highest quality materials and proven technology providing our customers with consistent drink quality.

#### Features

- Front plumbing inlets
- Improved easy serviceability/cleanability
- Stainless steel construction with sealed in cold plate
- Ice bin insulated with CFC free structural foam
- LEV® valves standard, other valves available upon request
- Key lock switch

#### Accessories and Options

- Conversion Stand
- Marquee
- Merchandiser
- Splash Guards
- 6 Valve to 8 Valve Conversion Kit
- Water Spigot
- Power Supply

Certified by these agencies:



#### CUSTOMER SERVICE

Should you require more information about our products, please do not hesitate to contact our customer service team at [custserv@lancerworldwide.com](mailto:custserv@lancerworldwide.com).



#### WARRANTY

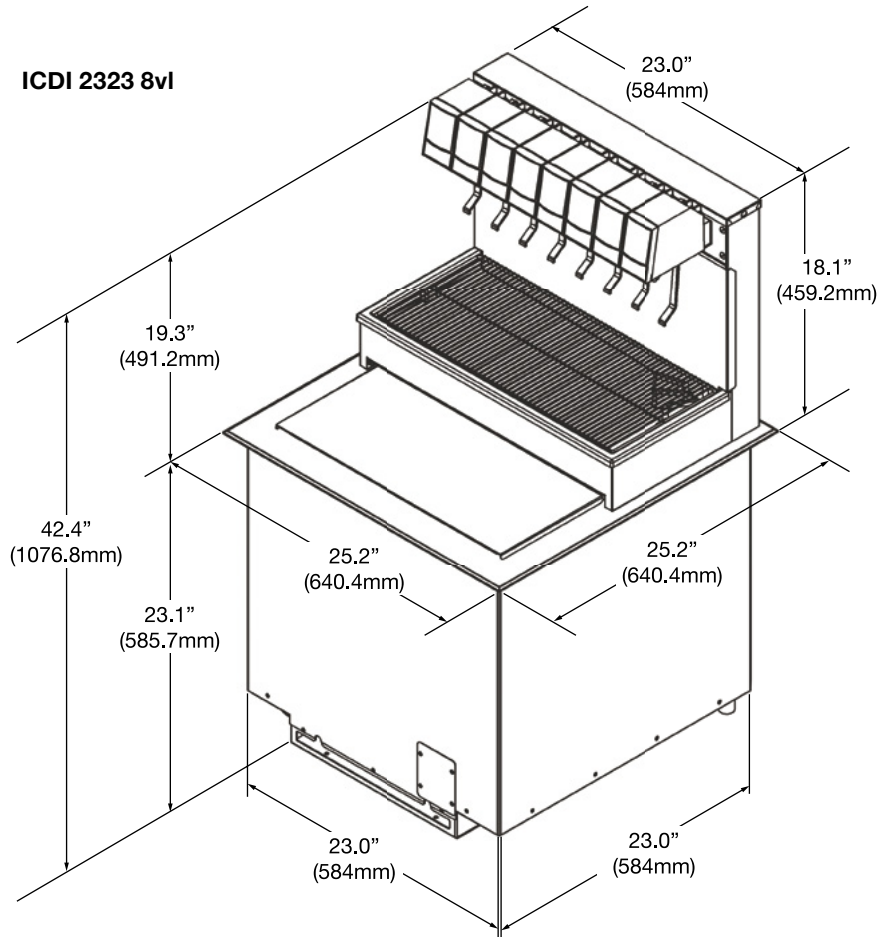
For warranty specifics by product, contact your Lancer™ Sales Representative. Equipment design and/or specifications are subject to change without notice.

Standard Performance Ice Cooled Drop In Dispensers

□ ICDI 2323 6vl □ ICDI 2323 8vl

Standard Performance Ice Cooled Drop In Dispensers

ICDI 2323 8vl



### Distinctive Design

Meets or exceeds industry standards for performance

**ICDI 2323** - 6 valves (2-1-1-2)  
8 valves (3-1-1-3)

#### Dimensions

42.4" H x 25.2" W x 25.2" D  
(1076.8 mm H x 640.4 mm W x 640.4 mm D)

#### Counter Cut-Out

23.25" W x 23.25" D  
(591 mm W x 591 mm D)

#### Weight

Operating: 258 lbs (117 kg)  
Shipping: 215 lbs (97.5 kg)

#### Ice Capacity

100 lbs (45 kg)

#### Electrical

115V/60Hz  
220-240V/50-60Hz

#### Fittings

Soda inlets: 3/8" (9.5 mm) male barb  
Syrup inlets: 3/8" (9.5 mm) male barb  
Drain: 3/4" (19.05 mm) PVC

For more information visit [lancerworldwide.com](http://lancerworldwide.com) or call 1-800-729-1500

6655 Lancer Boulevard • San Antonio, TX 78219 • 210-310-7000 • Fax: 210-310-7250 • © 2021 Lancer™ Worldwide • ICDI Standard 01/22

"Lancer" and "Lancer Worldwide" are trademarks of Lancer Corp. © 2021 by Lancer™, all rights reserved.