

- Marine ICDI 2200
- Marine ICDI 23300
- Marine IC 415
- Marine Turbo Carbonator



Marine ICDI 2200



Marine ICDI 23300



Marine IC 415 Drop In



Marine Turbo Carbonator

## Accessories and Options

- Conversion Stand
- Marquee
- Merchandiser
- Splash Guards
- Power Supply

Certified by these agencies:



### CUSTOMER SERVICE

Should you require more information about our products, please do not hesitate to contact our customer service team at [custserv@lancerworldwide.com](mailto:custserv@lancerworldwide.com).

Lancer's **Marine** Products are designed using the highest quality materials and proven technology.



- **Marine ICDI 2200**  
Ice Cooled Drop In Dispenser
- **Marine ICDI 23300**  
Ice Cooled Drop In Dispenser
- **Marine IC 415**  
Drop In Ice Chest
- **Marine Turbo Carbonator**

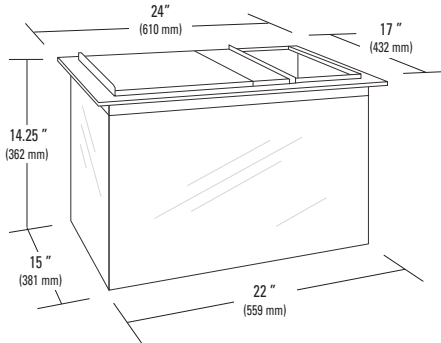


### WARRANTY

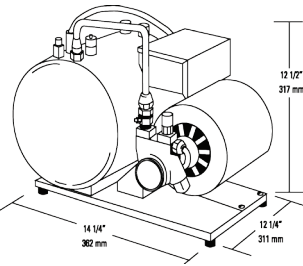
For warranty specifics by product, contact your Lancer™ Sales Representative. Equipment design and/or specifications are subject to change without notice.

- Marine ICDI 2200
- Marine ICDI 23300
- Marine IC 415
- Marine Turbo Carbonator

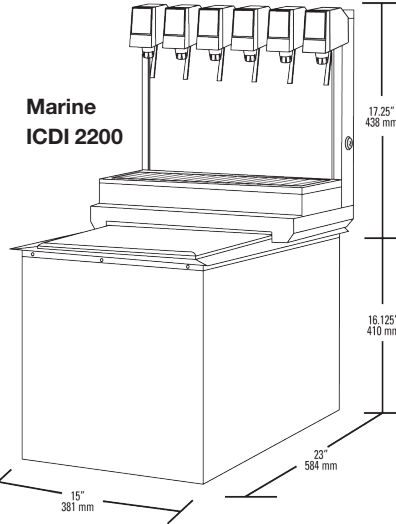
### Marine IC 415 Drop In



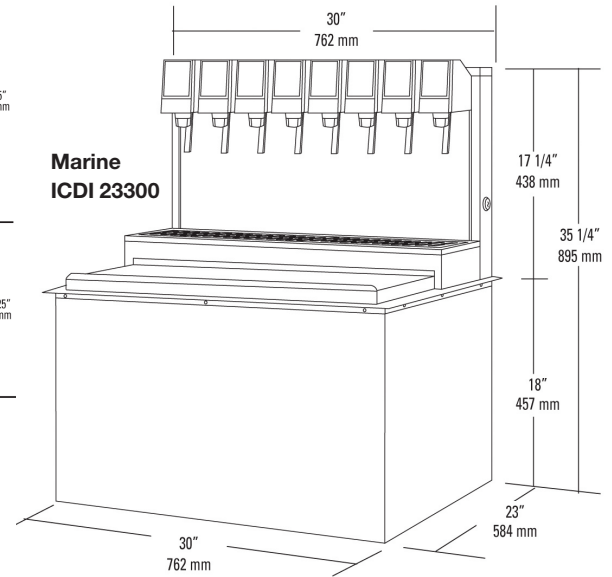
### Marine Turbo Carbonator



### Marine ICDI 2200



### Marine ICDI 23300



### Dimensions

IC 415 Drop In:

8 Circuit Cold Plate - 22" W x 15" D x 14.25" H  
(559 mm W x 381 mm D x 362 mm H)

ICDI 2200 - 33.375" H x 15" W x 23" D  
(848 mm H x 381 mm W x 584 mm D)

ICDI 23300 - 35.25" H x 30" W x 23" D  
(895 mm H x 762 mm W x 584 mm D)

Turbo Carbonator - Height: 12.5" H x 12.25" W x 14.25" D  
(317 mm H x 311 mm W x 362 mm D)

### Counter Cut-out for Drop In Units

IC 415 Drop In - 1/4" (6.35 mm) larger than dimensions

ICDI 2200 - 15.25" W x 23.25" D (387 mm W x 591 mm D)

ICDI 23300 - 30.25" W x 23.25" D (768 mm W x 591 mm D)

### Weight

IC 415 Drop In: Shipping weight: 90 lbs (40.8 kg)

ICDI 2200 - Operating: 166 lbs (75 kg) - Shipping: 175 lbs (79 kg)

ICDI 23300 - Operating: 370 lbs (168 kg) - Shipping: 300 lbs (136 kg)

Turbo Carbonator - Shipping: 35 lbs (15.87 kg)

### Ice Bank Weight

IC 415 Drop In - 60 lbs (27.2 kg)

ICDI 2200 - 60 lbs (27.2 kg)

ICDI 23300 - 130 lbs (59 kg)

### Electrical

ICDI 2200 - 115V/60Hz

ICDI 23300 - 24V/60Hz

Turbo Carbonator - 115V/60Hz - 220V 50/60Hz available

### Flex Manifold Configuration

ICDI 2200 - 6 valves (3-2-1)

ICDI 23300 - 8 valves (3-1-1-3)

### Fittings

ICDI 2200 - Syrup & soda inlets: 3/8" (9.5 mm) male barb

ICDI 23300 - Syrup & soda inlets: 3/8" (9.5 mm) male barb

Turbo Carbonator - CO2 Inlet: 1/4" male flare

Water Inlet: 3/8" male flare

Soda Outlet: 2 X 3/8" male flare

### Pump

Turbo Carbonator - 100 GPH (379 LPH)

### Valves

ICDI 2200 - LEV® and other valves available upon request

ICDI 23300 - LEV® and other valves available upon request

### Key Lock Switch

ICDI 2200

ICDI 23300

For more information visit [lancerworldwide.com](http://lancerworldwide.com) or call 1-800-729-1500

6655 Lancer Boulevard • San Antonio, TX 78219 • 210-310-7000 • Fax: 210-310-7250 • © 2021 Lancer™ Worldwide • Marine Products 03/21

"Lancer" and "Lancer Worldwide" are trademarks of Lancer Corp. © 2021 by Lancer™, all rights reserved.